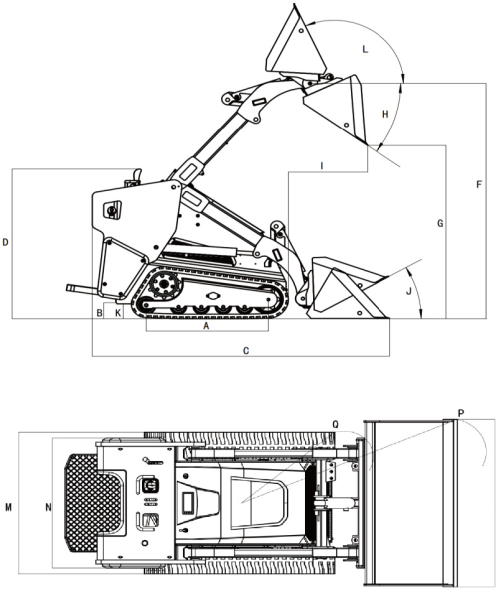




MINI SKID STEER LOADER JS130



PRODUCT SPECIFICATIONS

Model	JS130		
Power	Engine Model		Kubota/D1105
	Manufacturer' Gross Power Rating	hp (kw)	23.4 (17.2)
	Rated Engine Speed	rpm	3000
	Fuel		Diesel
	Fuel Tank	gal(L)	9.2 (35)
Hydraulic-System	Ground Drive-Flow Rate	gpm (L/min)	10 (38.4)
	Ground Drive-Pressure	psi (bar)	2610(180)
	Auxiliary-Flow Rate	gpm (L/min)	12.6 (48)
	Auxiliary-Pressure	psi (bar)	2900 (200)
	Hydraulic Reservoir	gal (L)	8.5(32)
Performance	Rated Load	lb(kg)	1300 (590)
	Machine Weight	lb (kg)	3881 (1760)
	Ground Drive Speed, Forward & Reverse	mph (km/h)	3.4 (5.4)
Dimensions	(A)Ground Contact Length	in (mm)	38 (965)
	(B)Ground Clearance-Under Platform	in (mm)	8 (203)
	(C)Length with/without Standard Bucket	in (mm)	93/65 (2362/165)
	(D)Height	in (mm)	52 (1321)
	(E)Operating Height	in (mm)	101 (2565)
	(F)Height to Bucket Hinge Pin, Max	in (mm)	81 (2059)
	(G)Dump Height with Standard Bucket	in (mm)	59 (1500)
	(H)Dump Angle @ Maximum Height		36°
	(I)Dump Reach @ Maximum Height	in (mm)	23.8 (605)
	(J)Rollback @ Carry Position		30°
	(K)Ground Clearance	in (mm)	5.8 (147)
	(L)Rollback Fully Raised @ Maximum Height		104°
	(M)Width	in (mm)	42 (1067)
	(N)Wheel Tread	in (mm)	37 (940)
	(O)Width with Bucket	in (mm)	48 (1219)
(P)Turning Radius with Standard Bucket	in (mm)	61 (1549)	
(Q)Turning Radius without Standard Bucket	in (mm)	32 (813)	

ZHEJIANG JEVEDA MACHINERY CO., LTD

ADDRESS: NO.1,ROAD ONE,XINDENG NEW DISTRICT,FUYANG,HANGZHOU,ZHEJIANG 311404,CHINA

TEL:+86-571-8688 8355 (AMERICA) +86-571-8886 9363 (EUROPE) +86-571-8688 8377 (ASIA, AFRICA, OCEANIA)

E-MAIL: info@Jeveda.com