

SWE35UF MINI-EXCAVATOR



◆ Operating Weight:3850kg

◆ Engine Power:18.2kw/2400rpm

◆ Bucket Capacity:0.11m³



- ◆ With zero-tail gyration and boom deflection, excellent synergistic operation could be realized;
- ◆ With the excellent sealing performance, the engine is completely isolated from the cabin, ensuring the quietness and comfort of the driver in the cabin.
- ◆ The cabin has with spacious driving environment and open vision, and is equipped with cold and warm air conditioning and suspension damping seat, providing relaxed and cozy driving experience.
- ◆ It is powerful and environmentally friendly. It has such functions as electrical throttle control and automatic idling, which could accurately match with the hydraulic system to ensure the high efficiency and low fuel consumption of the whole machine.
- ◆ Various options and configurations are available. Closed and open cabins could be selected, there are long and short arms and many special bucket configurations for clients to choose for different working conditions.

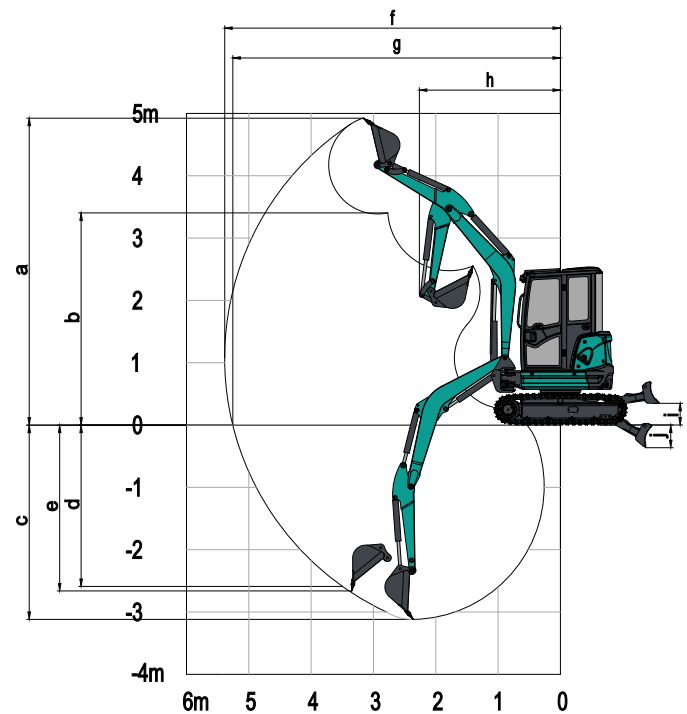


Parameters and performance of the main machine

Operating Weight	kg	3850	
Bucket Capacity	m ³	0.11	
Performance			
Bucket Digging Force	kN	31.8	
Arm Digging Force	kN	18	
Max. Drawbar Pull	kN	33.2	
Gradeability	%	57	
Ground Pressure	kPa	34	
Travel Speed(Max/Min)	km/h	4.0/2.3	
Swing Speed	rpm	9.5	
Oil tank capacity			
Fuel Tank Capacity	L	40	
Hydraulic Tank Capacity	L	41	
Engine			
Brand		KUBOTA	
Model		D1703(Stage V /Korea V)	D1703(Stage V /Tier IV/Korea V)
Rated Power	kw/rpm	18.2/2200	17.1/2200
Max. Torque	N.m/rpm	96/1500	
Displacement	L	1.647	

Working range

Boom Length	mm	2550
Arm Length	mm	1550
a Max. Digging Height	mm	5045
b Max. Dumping Height	mm	3520
c Max. Digging Depth	mm	3320
d Max. Depth Cut for 2440 mm Level Bottom	mm	2615
e Max. Vertical Digging Depth	mm	2860
f Max. Digging Reach	mm	5575
g Max. Digging Reach at Ground Level	mm	5450
h Min. Front Swing Radius	mm	2325
i Max. Raising Height above Ground of Dozer Blade	mm	340
j Max. Lowering Depth from Ground of Dozer Blade	mm	375



Overall dimensions

A	Overall Length	mm	4890
B	Overall Height	mm	2560
C	Overall Width	mm	1700
D	Counterweight Clearance	mm	590
E	Ground Clearance	mm	270
F	Tail Swing Radius	mm	850
G	Length to Center of Rollers	mm	1670
H	Track Length	mm	2160
I	Track Gauge	mm	1400
J	Track Width	mm	1700
K	Track Shoe Width	mm	300
L	Max. Height of Cab	mm	2560
N	Uppercarriage Width	mm	1505

★The above parameters may be different due to product upgrading.

